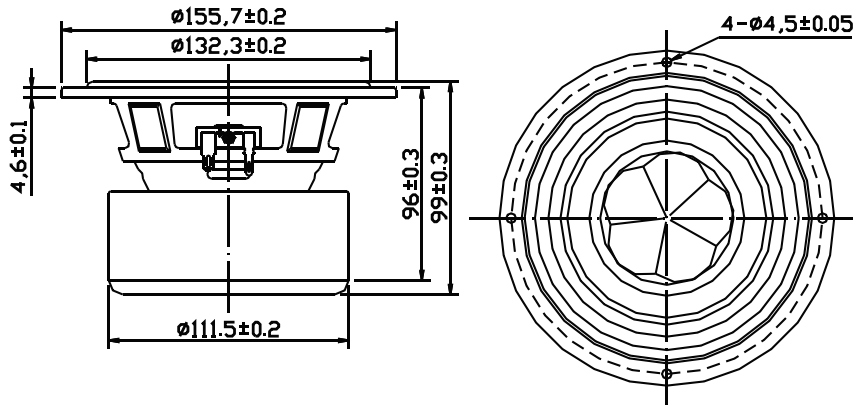


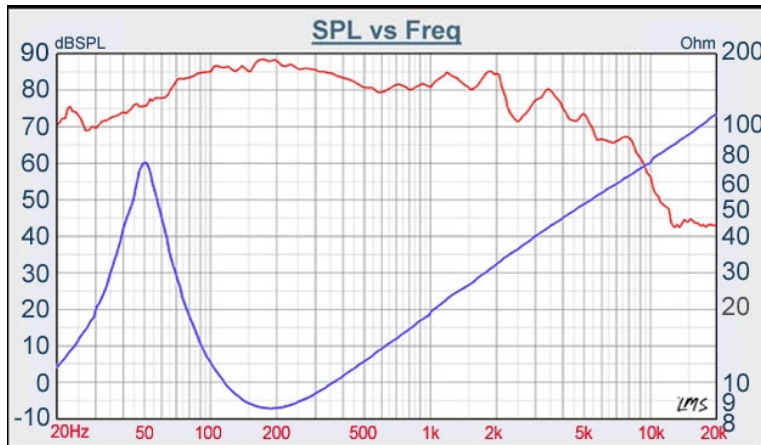
PA SERIES

W5-876SA



- LONG THROW HIGH POWER LOADING DESIGN
- EXTREMELY LINEAR EXCURSION DESIGN
- PAPER CONE WITH TWIN ROLL RUBBER SURROUND
- STAMPED STEEL BASKET, CONEX SPIDER
- SUITABLE FOR MINI SUBWOOFER APPLICATION
- VENTED POLE PIECE
- MAGNETICALLY SHIELDED

5" PAPER WOOFER



Blue planet acoustic
 Königsbergerstr 3a
 65760 Eschborn
 www.blueplanetacoustic.com

DIAPHRAGM MTL	Paper
SURROUND MTL	Twin Roll Rubber
NOMINAL IMPEDANCE	8
DCR IMPEDANCE	6.4
SENSITIVITY 1W/1m	86 dB
FREQUENCY RESPONSE	50 -2K Hz
FREE AIR RESONANCE	50 Hz
VOICE COIL DIAMETER	32 mm
AIR GAP HEIGHT	6 mm
NOMINAL POWER	50 W
MUSIC POWER	100 W
FORCE FACTOR, BL	9.92 TM
MAGNET WEIGHT (20 oz)	540 g
MOVING MASS	17 g
FERROFLUID ENHANCED	No
SUSPENSION COMPLIANCE	568 MN ⁻¹
EFFECTIVE PISTON AREA	0.0094 m ²
Levc	2.088 mH
Zo	76.4437 ohm
X-max	5 mm
Vas	7.13 Litr
Qts	0.33
Qms	3.90
Qes	0.36