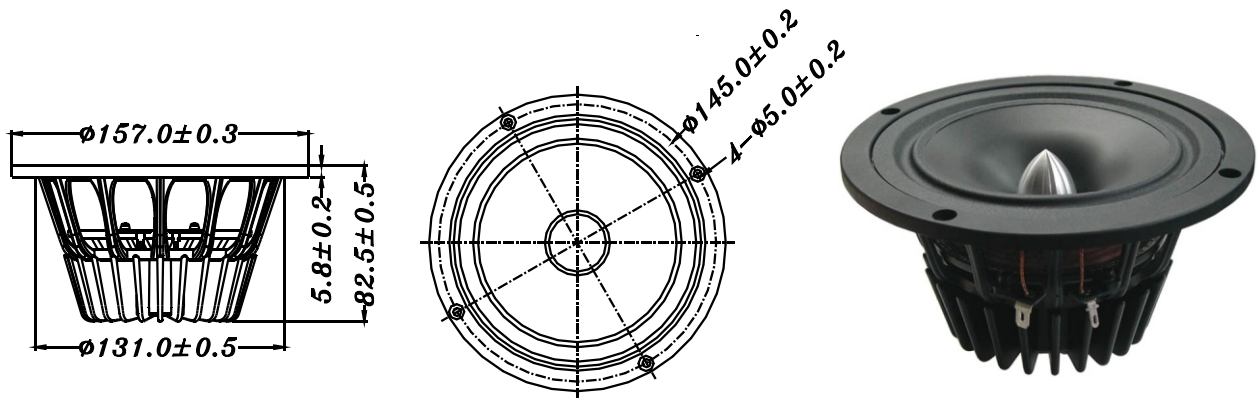


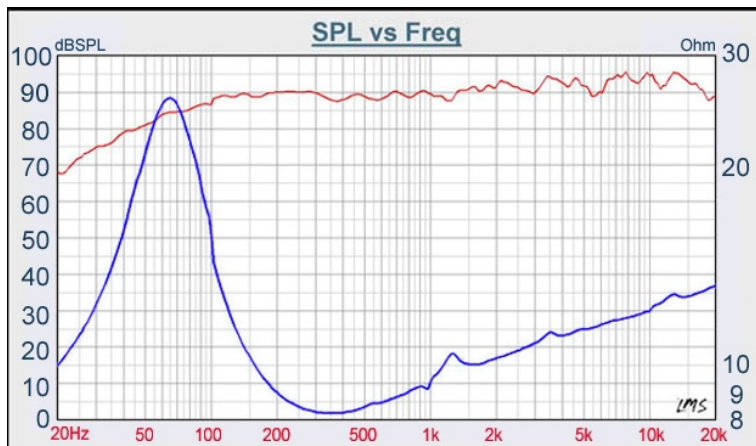
# F SERIES

# W5-1611SA



- FULL RANGE DESIGN
- BLACK COLOR PP CONE WITH WIDE RANGE TEMPERATURE, HIGH LOSS RECIPE OF RUBBER SURROUND
- VENTED POLE PIECE, NON-COMPROMISED UNDERHUNG NEODYMIUM MAGNET WITH ALUMINUM DIE CAST HEAT SINK
- GF REINFORCED NYLON BASKET

## 5" PP FULL RANGE



DIAPHRAGM MTL	Black color pp
SURROUND MTL	Rubber
NOMINAL IMPEDANCE	8 Ω
DCR IMPEDANCE	6.8 Ω
SENSITIVITY 1W/1m	90 dB
FREQUENCY RESPONSE	60 - 20 KHz
FREE AIR RESONANCE	60 Hz
VOICE COIL DIAMETER	25.4 mm
AIR GAP HEIGHT	10 mm
RATED POWER INPUT	28 W
MAXIMUM POWER INPUT	56 W
FORCE FACTOR, BL	5.18 TM
MAGNET WEIGHT ( oz)	Neodymium
MOVING MASS	5.76g
FERROFLUID ENHANCED	No
SUSPENSION COMPLIANCE	1307 MN <sup>-1</sup>
EFFECTIVE PISTON AREA	0.0094 M <sup>2</sup>
Levc	0.11mh
Zo	32 ohm
X-max	3mm
Vas	13.02 Litr
Qts	0.44
Qms	1.67
Qes	0.60

**TB** SPEAKERS

VOICE: 886.2.26570282 FAX: 886.2.26580166  
E-MAIL: info@tb-speaker.com