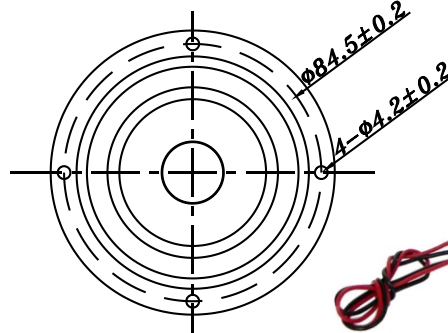
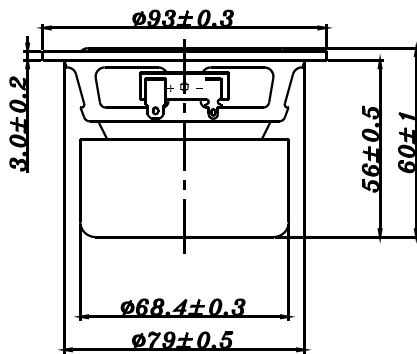


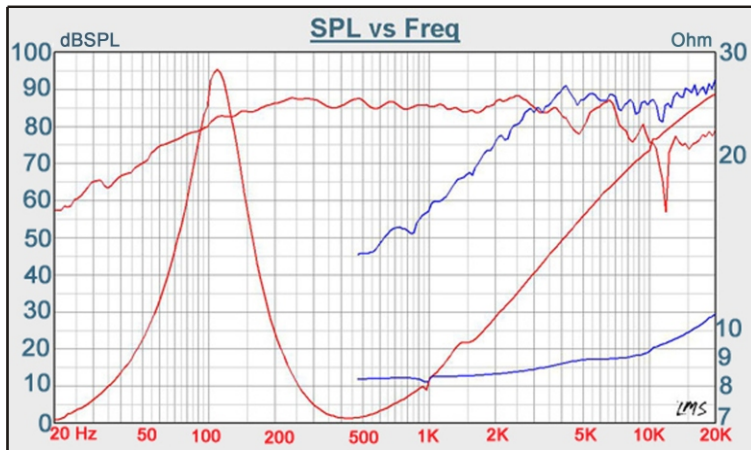
**F** SERIES

# W3-1723SA



- PP CONE WITH RUBBER SURROUND
- FERRITE MAGNET OF WOOFER
- TINY TWEETER BUILT-IN COAXIAL SPEAKER
- POINT SOURCE DESIGN

## 3" COAXIAL MID / TW



|                         |                       |
|-------------------------|-----------------------|
| DIAPHRAGM MTL           | PP                    |
| SURROUND MTL            | Santoprene            |
| NOMINAL IMPEDANCE       | 6 Ω                   |
| DCR IMPEDANCE           | 5.4 Ω                 |
| SENSITIVITY 1W/1M       | 86 dB                 |
| FREQUENCY RESPONSE      | 100Hz-20 KHz          |
| FREE AIR RESONANCE      | 100 Hz                |
| VOICE COIL DIAMETER     | 20.4 mm               |
| AIR GAP HEIGHT          | 4 mm                  |
| RATED POWER INPUT       | 10 W                  |
| MAXIMUM POWER INPUT     | 20 W                  |
| FORCE FACTOR, BL        | 4.1TM                 |
| MAGNET WEIGHT ( 4.4 oz) | 125g                  |
| MOVING MASS             | 2.50 g                |
| FERROFLUID ENHANCED     | No                    |
| SUSPENSION COMPLIANCE   | 845 MN <sup>-1</sup>  |
| EFFECTIVE PISTON AREA   | 0.0032 M <sup>2</sup> |
| Levc                    | 0.053mH               |
| Zo                      | 26 ohm                |
| Xmax                    | 1.1 mm                |
| Vas                     | 1.23 Litr             |
| Qts                     | 0.46                  |
| Qms                     | 2.27                  |
| Qes                     | 0.58                  |



VOICE: 886.2.26570282 FAX: 886.2.26580166  
E-MAIL: info@tb-speaker.com