

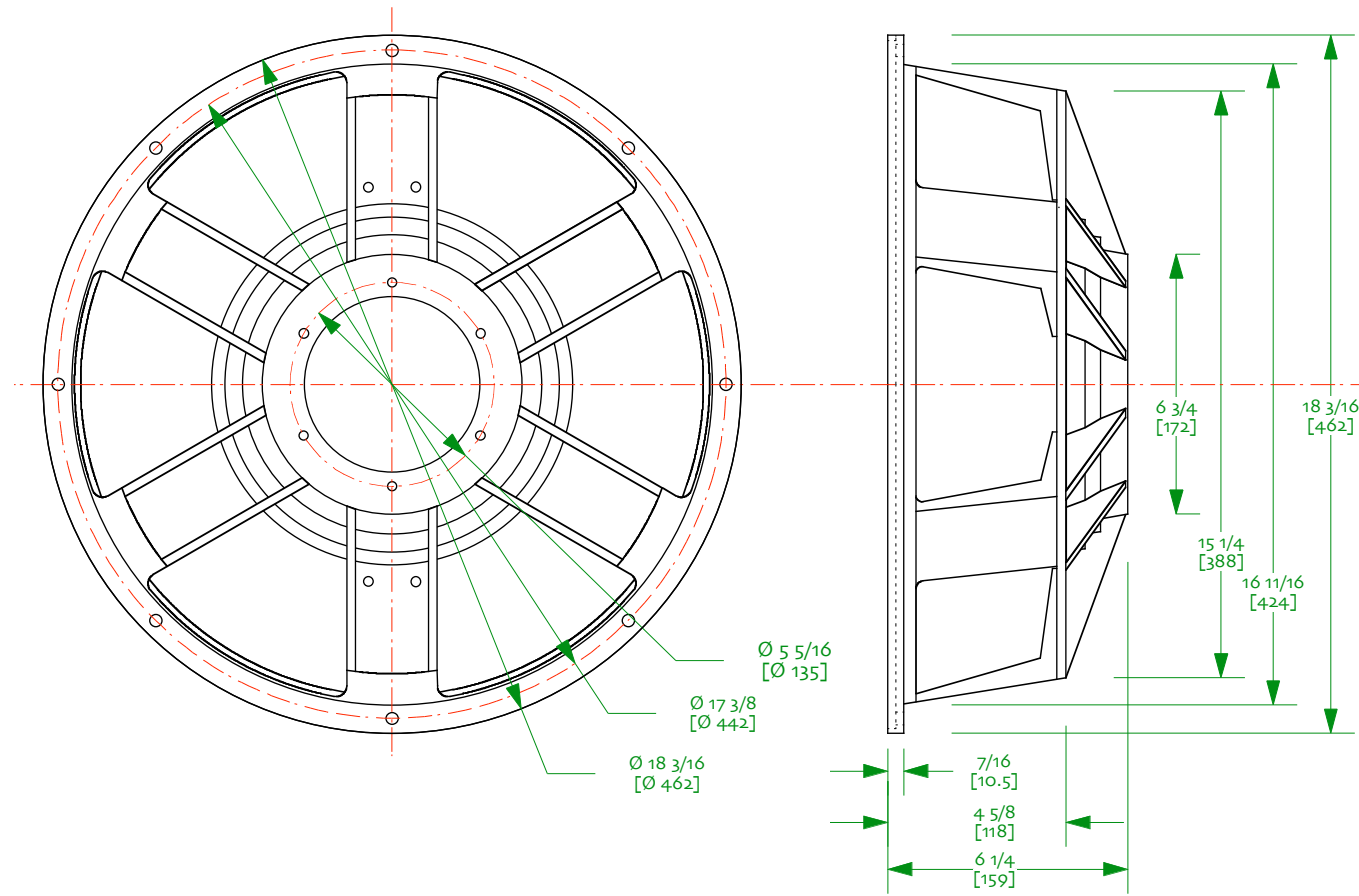


PR1816 / PR1821  
Passive Radiator  
23 september 2007  
drawn by dld

These 18" passive radiators have a cast aluminum basket with a 1" (25mm) flat MDF disk, a cardboard former (to which you can add up to 400g of mass\*), and a large half-roll surround which supports up to 3" (76mm) peak to peak excursions.

2 (PR1821) work with an SDX15 in a 5 ft<sup>3</sup> enclosure.

\*(blu-tak, duct seal, modeling clay suggested)



Technical parameters	PR1816	PR1821	+ 400g
Fs:	4.2 Hz	3.65 Hz	3.3 Hz
Qms:	67.72	67.72	74.0
Vas:	1,840 litre		
Compliance (Cms):	0.9		
Moving Mass (Mms):	1600 g	2100g	2500 g
Rms:	0,714		
Cone Area (Sd):	186 in <sup>2</sup> / 0.1200 m <sup>2</sup>		

